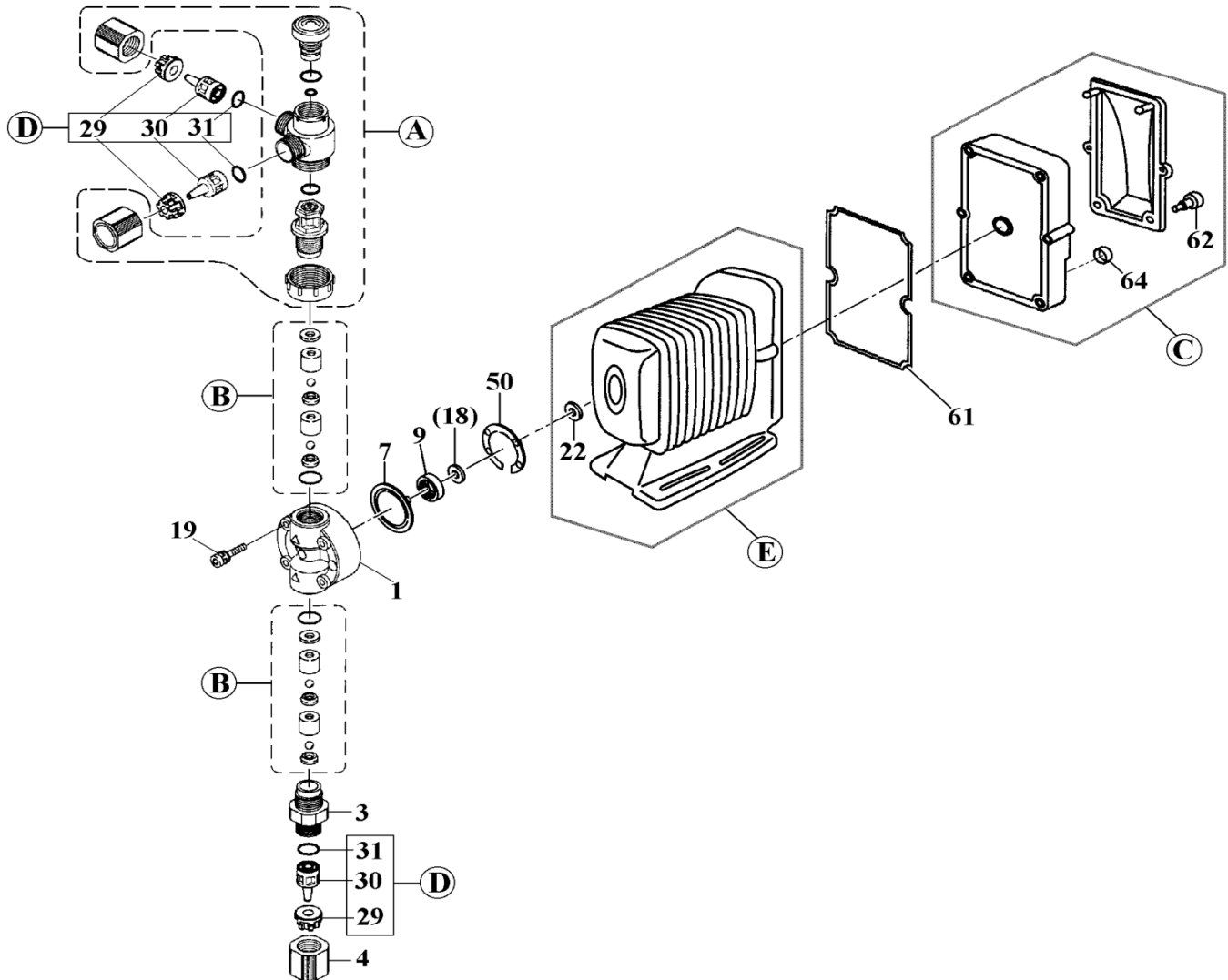


EWN-C36-TC <PVDF>

No. 92-073
Mar. 01, 2020



Item	Description	Q'ty	Material	Part No.
1	Pump Head	1	PVDF	E0254
3	Fitting	1	PVDF	E0256
4	Fitting Nut	1	PVDF	E0261
7	Diaphragm	1	PTFE	E0025
9	Diaph. Retainer	1	PPS	E0030
*18	Spacer	t:0,1mm	* Brass	E0031
		t:0,2mm	* Brass	E0033
		t:0,3mm	* Brass	E0034
		t:0,5mm	* Brass	E0035
		t:0,7mm	* Brass	E0036
19	Cap Bolt (M5x35)	4	SUS316L	E0038
22	Diaphragm Seal	1	EPDM	E0543
29	Hose Stopper	3	GFRPPS	E0043

Item	Description	Q'ty	Remark	Part No.
30	Hose Adaptor	3	PVDF	E0174
31	O-Ring (P-9)	3	FKM-A	E0046
50	Pump Head Gasket	1	EPDM	E0050
61	Controller Gasket	1	EPDM	E0073
62	Thumb Bolt	2	PPE	E0066
64	Cap (DIN Connector)	2	EPDM	E0069
A	Air Vent Valve Set	1		E0383
B	Valve Set	2		E0435
C	Control Unit	1	CER	E0058
		1	CEY	E0589
D	Connector Set	3	10x12	E0405
E	Drive Unit	1		E0443
	Wet End Set <1+3+4+A+B>	1	TC	E0102

*Note: "Spacer" (Item 18) ⇒ None or one or more spacers is required for a pump.

⚠ Subject to change without prior notice! ⚠ Actual pump may differ from the exploded view!