

IWAKI
AIR
PUMPS

APN



Wide range, wide variety

We respond to all needs.

Iwaki gas-liquid transfer pumps and air pumps are most appropriate for built-in applications. They are widely used in analyzers and medical equipment for which high quality is required, as well as in laboratory instruments, industrial machines, and other devices.



Analizers

Medical analyzers (biochemical analyzers [for medical waste liquor/washings collection]), environmental analyzers (spectral photometers [for material adsorption], leak testers, dust counters)

Medical equipment

Aspirators, nebulizers, low-frequency therapy equipment, blood-pressure gauges, endoscopes, X-ray film adsorption/transfer equipment, gas sterilizers, tappers, artificial respirators, interferential current therapy equipment, normal saline solution sprays, massagers, pressurization/vacuum sources for various devices



Physics and chemistry instruments

Aspirators, liquid chromatography, particle counters, leak testers, sprays, culture apparatus, aseptic baths



Lineup

APN-W Gas and liquid transfer pumps



10/20
Brushless motor



10/20
Brushless motor



30/60 Brush motor



30/60 Brushless motor



60 Dual-head type



085

Model	05 10 20	30 60	085
Motor	Brush/Brushless	Brush/Brushless	Brush
Pump head	Single	Single/Dual	Single
Page	7, 8	9, 10	11, 12

APN Diaphragm type air pumps



031



051



052



085



P110

Model	031 051 052	085	P110
Motor	Brush/Brushless	Brush	Brushless
Pump head	Single	Single	Dual
Page	13, 14	15, 16	17, 18

Specifications

APN-W (Gas and liquid transfer pumps)

Model	Gas-liquid Max. capacity			Gas Max. flow			Max. Vacuum			Max. Discharge pressure		
	1.0	10.0	30.0	L/min	kPa	26.66	101.32 79.98	0.02	0.06	0.10	MPa	
05 Brush motor				0.05 0.1	87.99						0.01	
10	Brush motor			0.1 0.2	74.66						0.03	
	Brushless motor			0.18 0.2	74.66						Note1 0.03	
20	Brush motor			0.2 0.2	74.66						0.03	
	Brushless motor			0.26 0.2	74.66						Note1 0.03	
30	Brush motor			0.3 1.2	47.99						0.08	
	Brushless motor			0.3 1.0	47.99						0.08	
60	Brush motor			0.6 1.2	47.99						0.08	
	Brushless motor			0.6 1.0	47.99						0.08	
P60 Brushless motor				1.0 2.4	47.99						Note2 0.08	
085 Brush motor				0.5 4.0	34.66						0.05	

Note1: Max. discharge pressure of the gas-liquid transfer is 0.1MPa.

Note2: Max. discharge pressure of the gas-liquid transfer is 0.05MPa.

APN (Diaphragm type air pumps)

Model	Gas Max. flow			Max. Vacuum			Max. Discharge pressure				
	1.0	10.0	30.0	L/min	kPa	26.66	101.32 79.98	0.02	0.06	0.10	MPa
031 Brush motor				1.5	74.66						0.027
051 Brushless motor				1.0	61.32						0.05
052 Brush motor				1.8	61.32						0.05
085 Brush motor				6.0	61.32						0.08
P110 Brushless motor				28.0	23.99						0.10

Model		Output (W) DC12/24	Power consumption (W) DC12/24	Rated current (A) DC12/24	Rated voltage (V)	Connection size IN/OUT (mm)	Mass (kg)	Handling gas temp. (°C)	Handling liquid temp. (°C)	Limit cold start temperature (°C)
05	Brush motor	2.5/2.5	4.8/4.8	0.4/0.2	DC12/24	Hose Ø4.5	0.11	5 to 40	10 to 40	5
	Brush motor						0.2			
10	Brushless motor	-/8	-/7.2	-/0.3	DC24	Hose Ø5	0.11			
	Brush motor	-/2.5	-/4.8	-/0.2			0.2			
20	Brushless motor	-/8	-/7.2	-/0.3		Hose Ø5.5	0.21			
	Brush motor	-/5.8	-/11.5	-/0.48			0.24			
30	Brushless motor	-/8	-/14.4	-/0.6		Hose Ø5.5	0.21			
	Brush motor	-/5.8	-/11.5	-/0.48			0.24			
60	Brushless motor	-/8	-/14.4	-/0.6		Hose Ø5.5	0.24			
	Brush motor	-/5.8	-/11.5	-/0.48			0.21			
P60	Brushless motor	-/16	-/20.6	-/0.86			0.24			
085	Brush motor	7.5/7.5	19/19	1.6/0.8		DC12/24	Thread Rc1/8	2.5	0 to 40	5 to 40

Liquid temperature 20°C

Model		Output (W) DC12/24	Power consumption (W) DC12/24	Rated current (A) DC12/24	Rated voltage (V)	Connection size IN/OUT (mm)	Mass (kg)	Handling gas temp. (°C)	Ambient temp. (°C)	Limit cold start temperature (°C)
031	Brush motor	0.68/0.68	2.4/2.4	0.22/0.1	DC12/24	Hose Ø5	0.07	0 to 40	0 to 40	0
051	Brushless motor	-/0.8	-/6	-/0.25	DC24	Hose Ø5, Ø8, Thread Rc1/8	0.5	5 to 40	5 to 40	5
052	Brush motor	4.8/4.9	15/15	1.25/0.63	DC12/24		0.4			
085	Brush motor	7.5/7.5	19/19	1.6/0.8	DC12/24	Hose Ø8, Thread Rc1/4, G1/4	1.1	0 to 40	0 to 40	10
P110	Brushless motor	-/30	-/55.2	-/2.3	DC24		3.3		5 to 40	5

Feature

APN-W (Gas and liquid transfer pumps)

Compact and lightweight

A compact and lightweight design is used that is most appropriate for built-in applications and for waste liquid collection; and a structure with high corrosion resistance and enhanced reliability/durability enables continuous operation for an extended period of time and ensures long life.

Hygienic oil-free design, self-priming pumps without use of priming water

The motor-driven diaphragm pumps are oil-free and are most suitable for usage requiring clean liquid relay. A wide variety of models is available for various usage. Self-priming pumps require no priming water and realize gas-liquid transfer.

V-type valve for high sealing performance and for preventing foreign matter intrusion

A V-type valve is adopted. Pressing the valve enhances sealing performance, even when the valve is not in operation. In case of the intrusion of foreign matter into the transferred liquid, as a measure against the self-priming defect caused by weakened sealing performance due to the attachment of foreign matter to the valve, a groove is formed at the part to which the valve is fixed to prevent foreign matter intrusion. This keeps foreign matter out.

APN (Diaphragm type air pumps)

Clean air transfer

The motor-driven diaphragm pumps are oil-/carbon-free and are highly airtight. Most suitable in medical or sampling equipment where air cleanness is required.

Long-life design

Fiber reinforced diaphragms, enlarged bearings and enhanced con rods have further improved reliability and durability in order for the pump to run over an extended time period in a continuous operation.

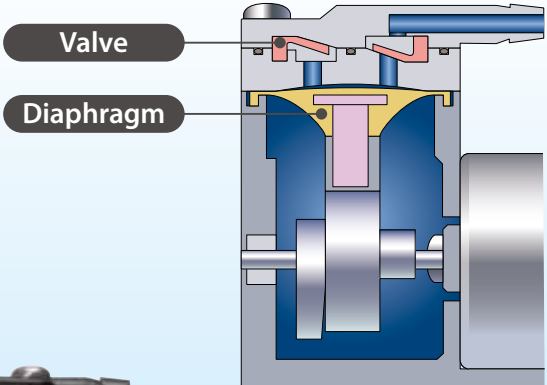
Easy maintenance

The pump head consists of only a few parts and can easily be dismantled and assembled.

• Except for some products.

Pressure-withstanding diaphragm

The diaphragm is made thick regarding its moving parts, in order to withstand the pump pressure in gas-liquid transfer.



APN-W



APN



APN-05/10/20-W

Gas and liquid transfer pumps

Max. capacity (Gas-liquid) 0.05 to 0.26 L/min

Max. flow (Gas) 0.1 to 0.2 L/min

Max. vacuum 74.66 to 87.99 kPa

Max. discharge pressure 0.03 MPa

Adjustment valve of fluid, please to be installed on the suction side of the pump.



10 Brush motor type



10 Brushless motor type

Specifications

Model	Motor	Gas-liquid Max. capacity (L/min)	Gas Max. flow (L/min)	Max. vacuum (kPa)	Max. discharge pressure (MPa)	Output (W) DC12/24	Power con- sumption (W) DC12/24	Rated current (A) DC12/24	Rated voltage (V)
APN-05-W		0.05	0.1	87.99	0.01	2.5/2.5	4.8/4.8	0.4/0.2	DC12/24
APN-10-W	Brush	0.1	0.2	74.66	0.03				
	Brushless	0.18			0.03 ^{Note}	-/8	-/7.2	-/0.3	
APN-20-W	Brush	0.2			0.03	-/2.5	-/4.8	-/0.2	
	Brushless	0.26			0.03 ^{Note}	-/8	-/7.2	-/0.3	

Connection size IN/OUT APN-05/10-W: Hose Ø4.5mm, APN-20-W: Hose Ø5mm

Mass Brush type: 0.11kg, Brushless type: 0.2kg

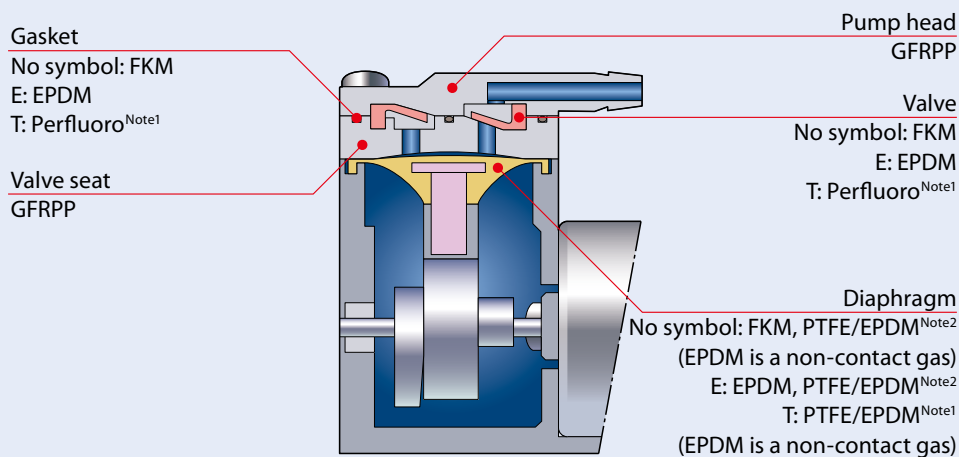
Handling gas temp. 5 to 40°C

Handling liquid temp. 10 to 40°C

Limit cold start temperature... 5°C

Note: Max. discharge pressure of the gas-liquid transfer is 0.1MPa.

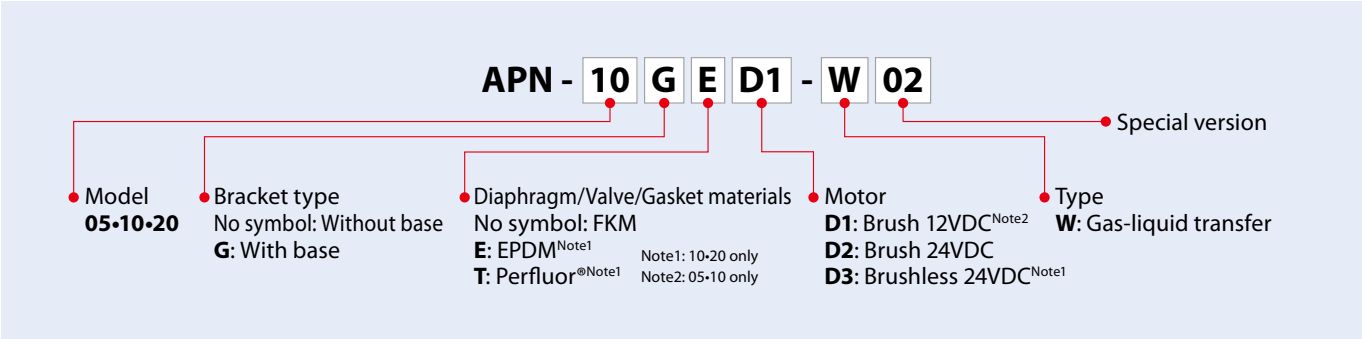
Construction and materials



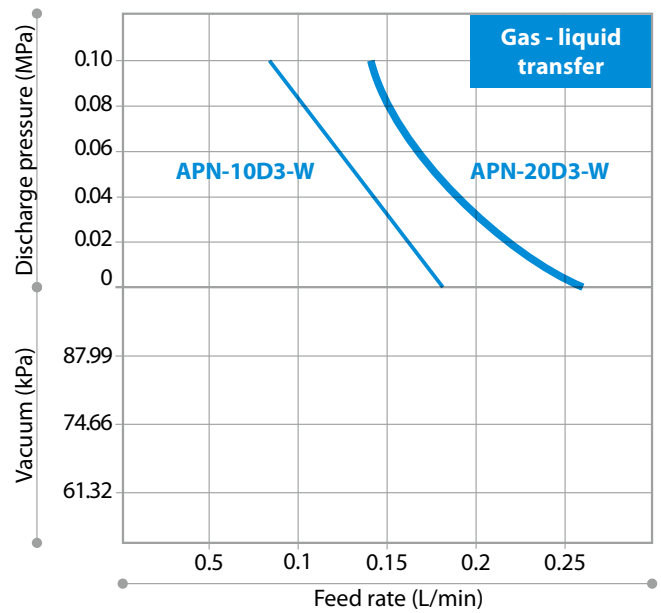
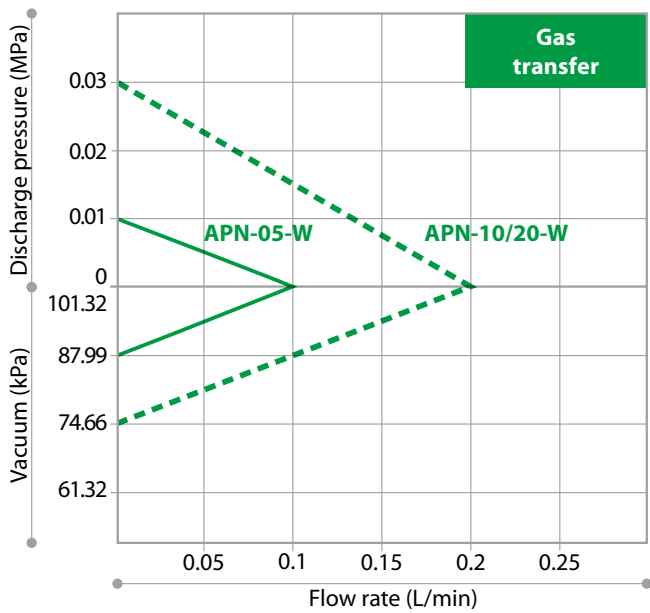
Note1: Special order on APN-10/20-W.

Note2: Diaphragm of APN-10 / 20D3-W is the PTFE / EPDM.

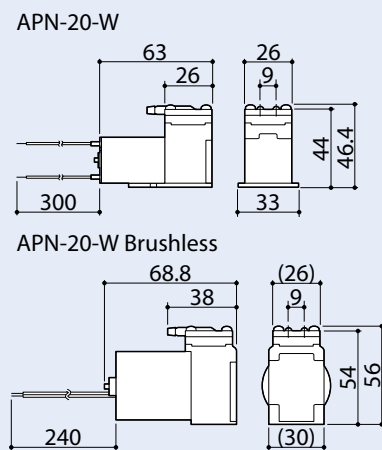
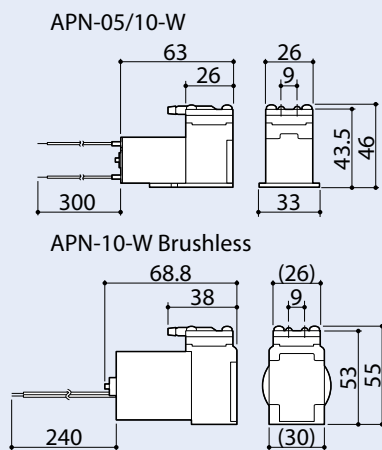
Pump identification



Performance curves



Dimensions in mm



APN-30/60-W

Gas and liquid transfer pumps

Max. capacity (Gas-liquid) 0.3 to 1.0 L/min

Max. flow (Gas) 1.0 to 2.4 L/min

Max. vacuum 47.99 kPa

Max. discharge pressure 0.08 MPa

Adjustment valve of fluid, please to be installed on the suction side of the pump.



30/60 Brush motor type



30/60 Brushless motor type



P60 Dual head type

Specifications

Model	Motor	Gas-liquid Max. capacity (L/min)	Gas Max. flow (L/min)	Max. vacuum (kPa)	Max. discharge pressure (MPa)	Output (W)	Power con- sumption (W)	Rated current (A)	Rated voltage (V)	
APN-30-W	Brush	0.3	1.2	47.99	0.08	5.8	11.5	0.48	DC24	
	Brushless		1.0			8	14.4	0.6		
APN-60-W	Brush	0.6	1.2			0.08 ^{Note}	5.8	11.5		0.48
	Brushless		1.0				8	14.4		0.6
APN-P60-W		1.0	2.4				16	20.6		0.86

Connection size IN/OUT Hose Ø5.5mm

Mass 30/60 Brush type: 0.21kg, 30/60 Brushless type / P60: 0.24kg

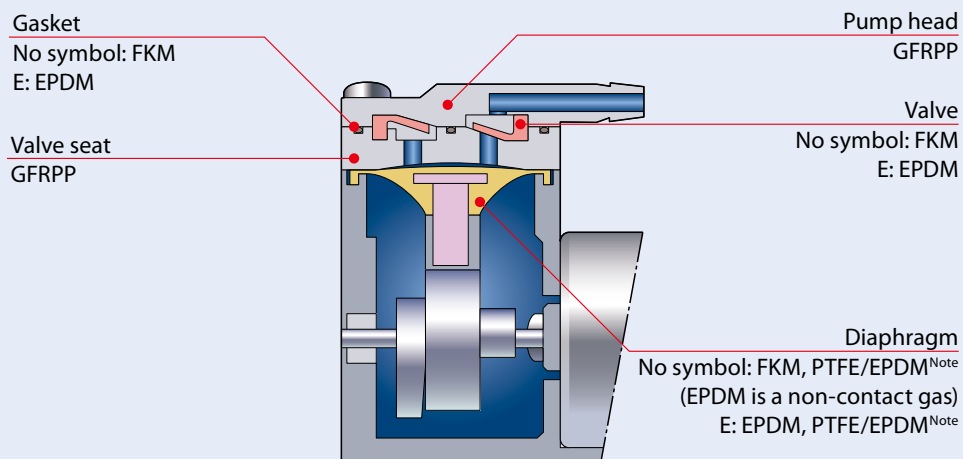
Handling gas temp. 5 to 40°C

Handling liquid temp. 10 to 40°C

Limit cold start temperature... 5°C

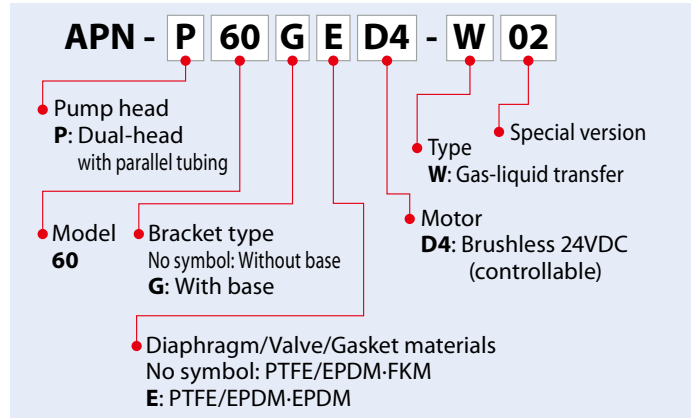
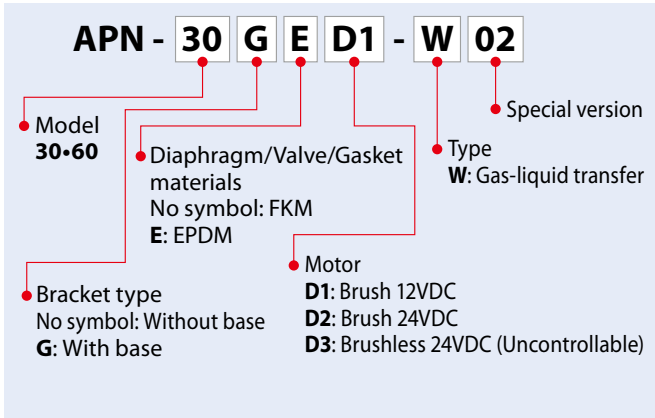
Note: Max. discharge pressure of the gas-liquid transfer is 0.05MPa.

Construction and materials

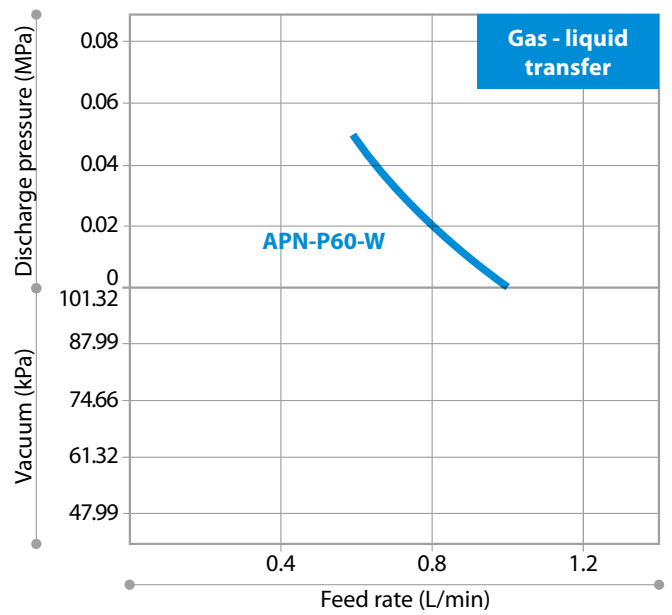
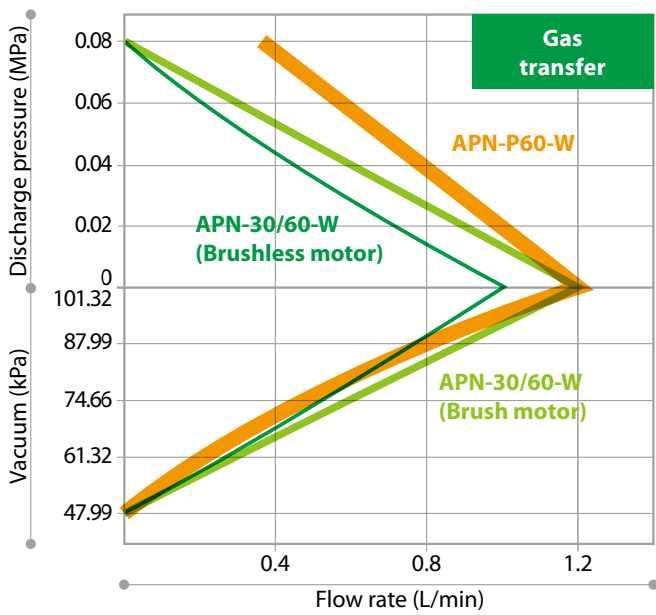


Note: Diaphragm only APN-P60 will PTFE / EPDM.

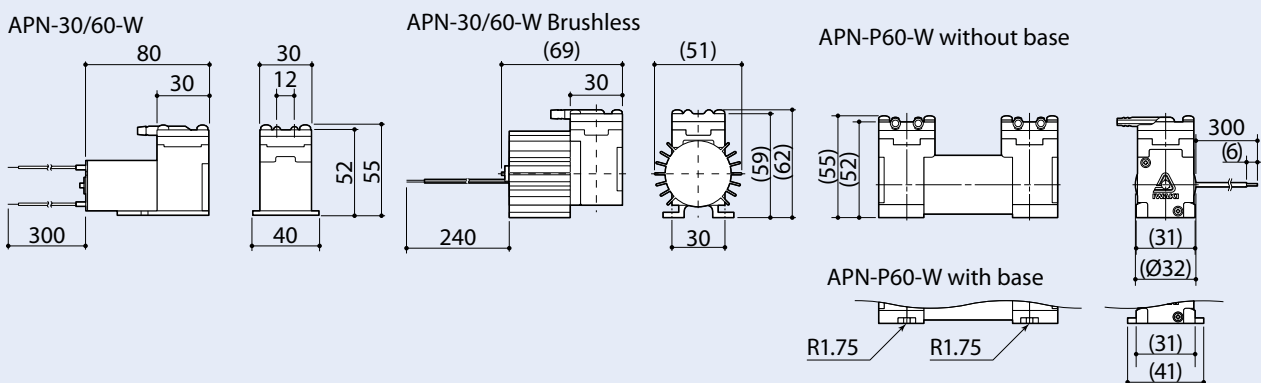
Pump identification



Performance curves



Dimensions in mm



APN-085-W

Gas and liquid transfer pumps

Max. capacity (Gas-liquid)	0.5 L/min
Max. flow (Gas)	4.0 L/min
Max. vacuum	34.66 to 37.33 kPa
Max. discharge pressure	0.05 MPa

Adjustment valve of fluid, please to be installed on the suction side of the pump.



Specifications

Model		Gas-liquid Max. capacity (L/min)	Gas Max. flow (L/min)	Max. vacuum (kPa)	Max. discharge pressure (MPa)	Output (W) DC12/24	Power con- sumption (W) DC12/24	Rated current (A) DC12/24	Rated voltage (V) DC12/24
APN-085-W	EX type	0.5	4.0	34.66	0.05	7.5/7.5	19/19	1.6/0.8	DC12/24
	VX type			37.33					

Connection size IN/OUT Thread Rc1/8

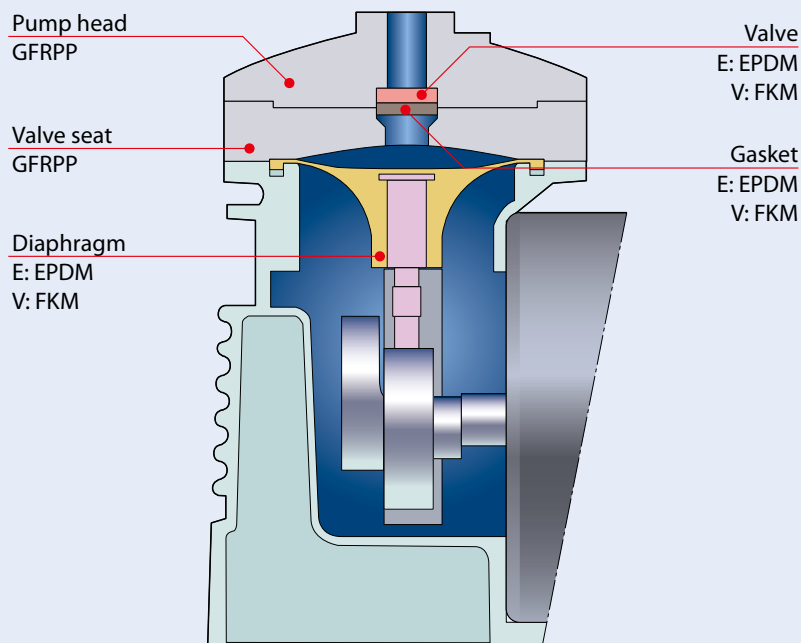
Mass 2.5kg

Handling gas temp. 0 to 40°C

Handling liquid temp. 5 to 40°C

Limit cold start temperature... FKM: 10°C, EPDM: 5°C

Construction and materials

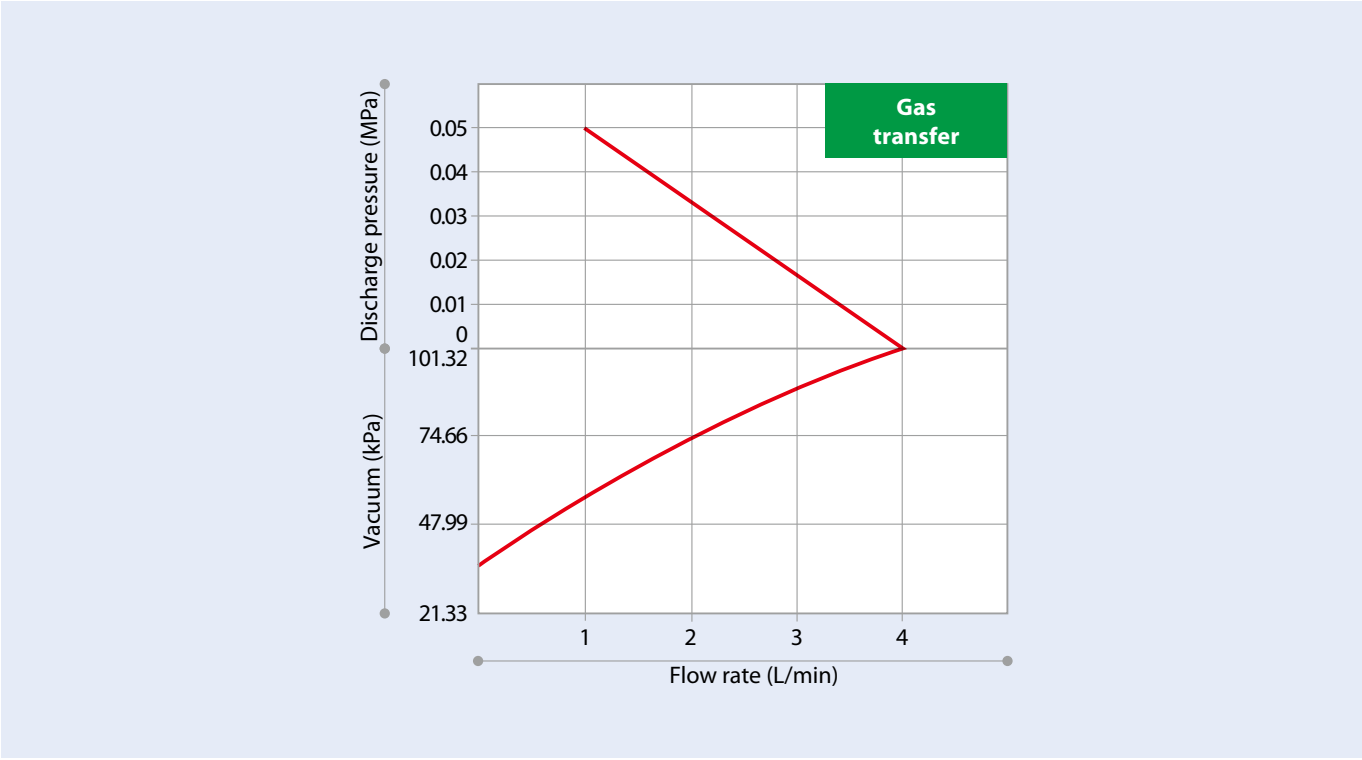


Pump identification

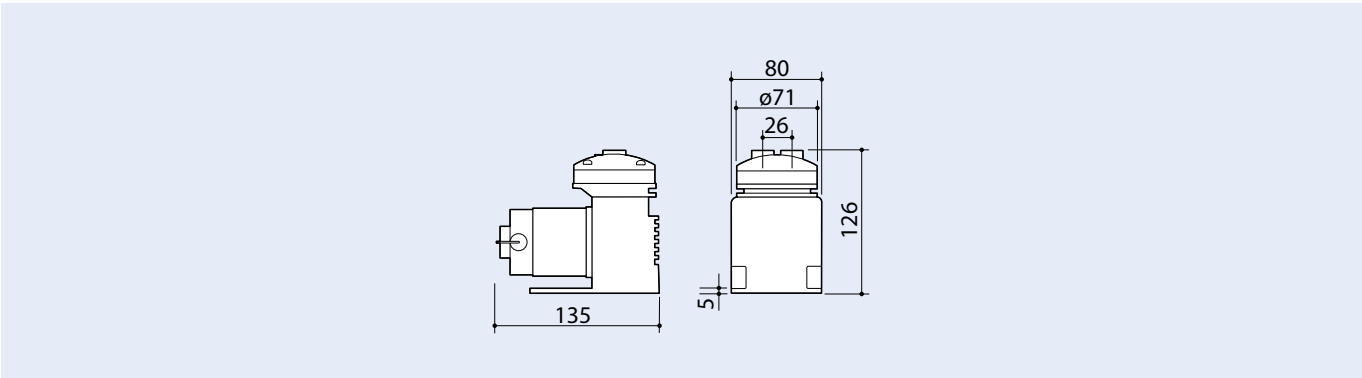
APN - 085 E X - D1 - W 02

- Model **085**
- Diaphragm (Valve) materials
E: EPDM
V: FKM
- Connection size
X: Thread (Rc1/8)
- Motor
D1: Brush 12VDC
D2: Brush 24VDC
- Type
W: Gas-liquid transfer
- Special version

Performance curves



Dimensions in mm



APN-031/051/052

Diaphragm type air pumps

Max. flow 1.0 to 1.8 L/min

Max. vacuum 61.32 to 74.66 kPa

Max. discharge pressure 0.027 to 0.05 MPa



Specifications

Model	Max. flow (L/min)	Max. vacuum (kPa)	Max. discharge pressure (MPa)	Output (W) DC12/24	Power consumption (W) DC12/24	Rated current (A) DC12/24	Rated voltage (V)
APN-031	1.5	74.66	0.027	0.68/0.68	2.4/2.4	0.22/0.1	DC12/24
APN-051	1.0	61.32	0.05	-/0.8	-/6	-/0.25	DC24
APN-052	1.8			4.8/4.9	15/15	1.25/0.63	DC12/24

Connection size IN/OUT 031: Hose Ø5mm, 051/052: Hose Ø5mm, Ø8mm, Thread Rc1/8

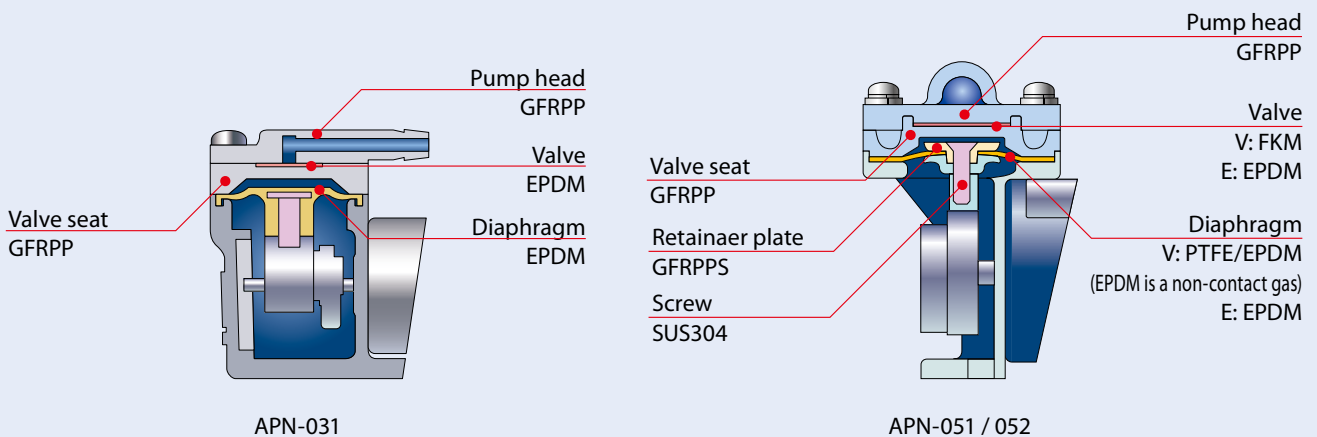
Mass 031: 0.07kg, 051: 0.5kg, 052: 0.4kg

Handling gas temp. 0 to 40°C

Ambient temp. 0 to 40°C

Limit cold start temperature... 031: 0°C, 051/052: 5°C

Construction and materials



Pump identification

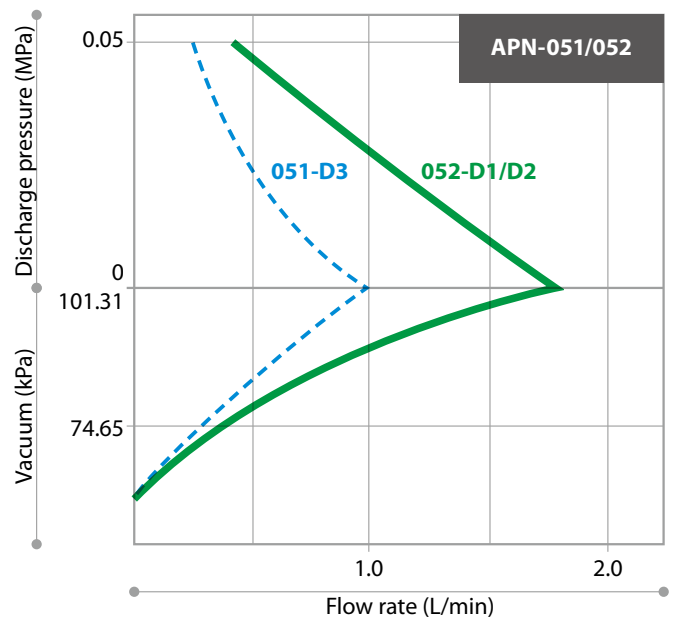
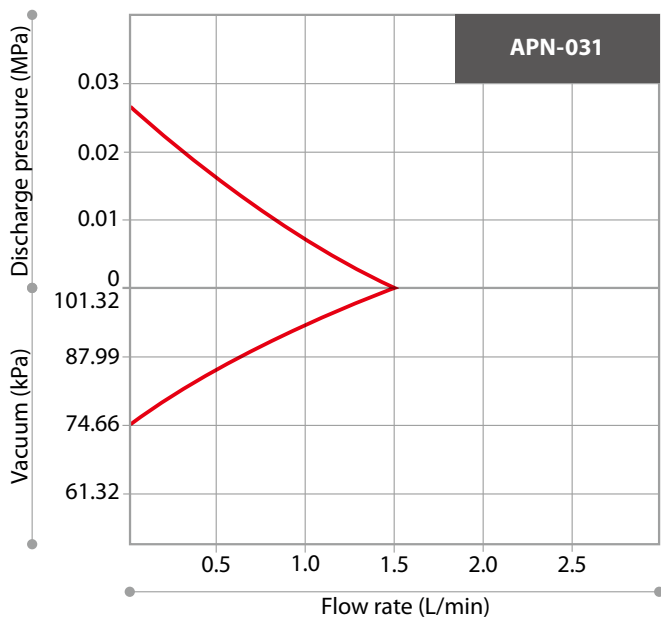
APN - 031 D2 - 01

- Model 031
- Motor D1: 12VDC D2: 24VDC
- Special version

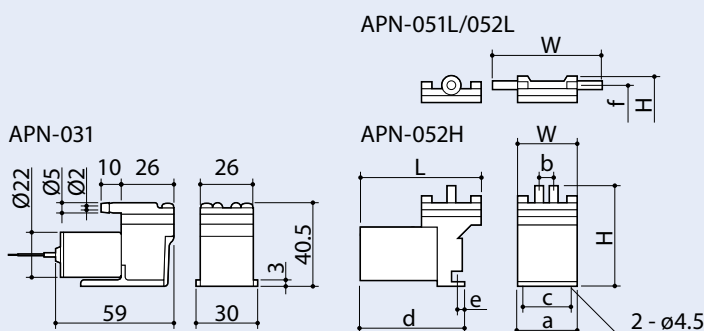
APN - 051 L E X - D3 - 01

- Model 051 - 052
- Pump head L: Horizontally oriented H: Vertically oriented
- Diaphragm/Valve materials V: PTFE/EPDM • FKM E: EPDM • EPDM
- Motor D1: Brush 12VDC (Only 052) D2: Brush 24VDC (Only 052) D3: Brushless 24VDC (Uncontrollable) (Only 051)
- Pump connection No symbol: Hose (Ø8) X: Thread (Rc1/8)
- Special version

Performance curves



Dimensions in mm



Model	W	H	L	a	b	c	d	e	f
APN-051L	86	(75)	(90)	46	—	32	(76)	6.5	(67)
APN-052L							(77)		
APN-052H	46	(78)			13				—

APN-085

Diaphragm type air pumps

Max. flow	6 L/min
Max. vacuum	34.66 to 61.32 kPa
Max. discharge pressure	0.08 MPa



Specifications

Model	Max. flow (L/min)	Max. vacuum (kPa)	Max. discharge pressure (MPa)	Output (W) DC12/24	Power consumption (W) DC12/24	Rated current (A) DC12/24	Rated voltage (V)
APN-085-D1/D2	6	61.32	0.08	7.5/7.5	19/19	1.6/0.8	DC12/24
APN-085L/H-D1/D2		34.66					

Connection size IN/OUT Hose Ø8mm, Thread Rc1/4, G1/4

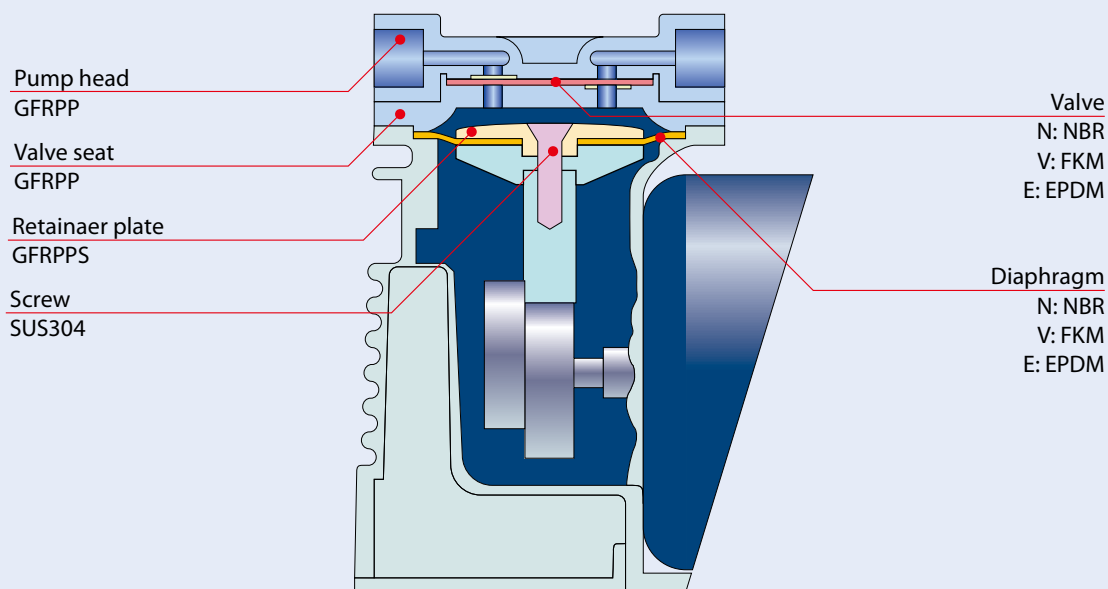
Mass 1.1kg

Handling gas temp. 0 to 40°C

Ambient temp. 0 to 40°C

Limit cold start temperature... 10°C

Construction and materials

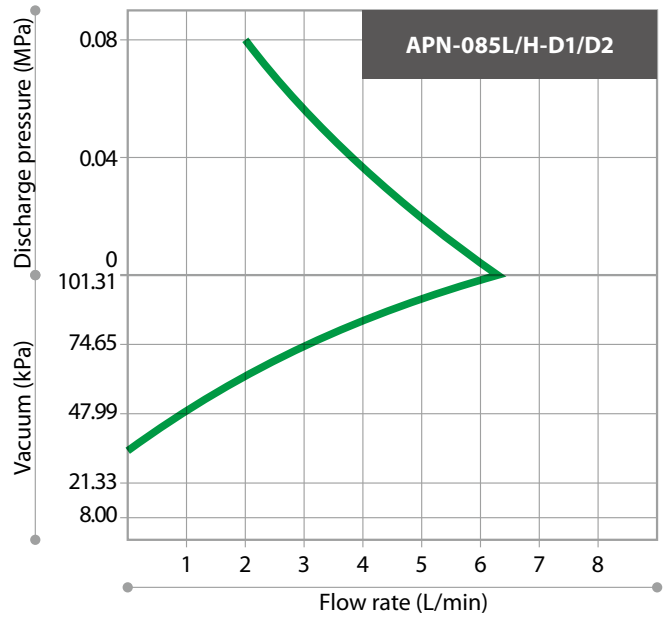
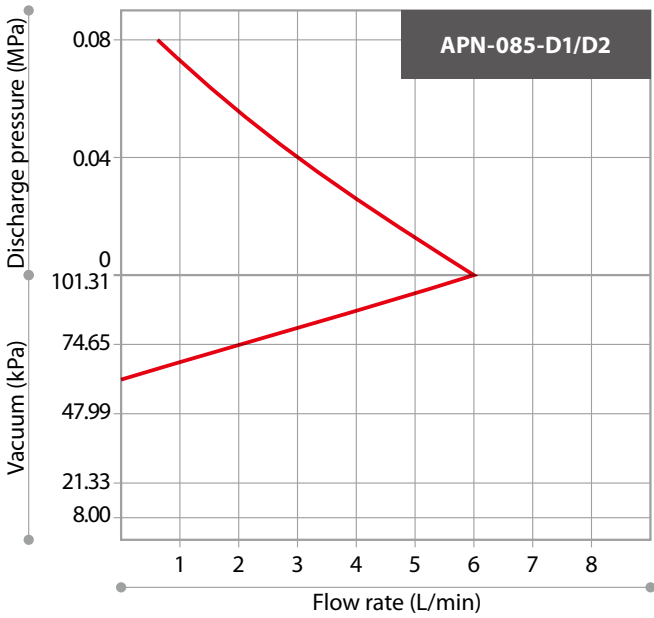


Pump identification

APN - 085 L V X - D2 - 01

- Model **085**
- Pump head
No symble: Corrosion resistant
L: Horizontally oriented
H: Vertically oriented
- Diaphragm/Valve materials
E: EPDM
V: FKM
- Pump connection
No symble: Tube (ø8)
X: Thread (Rc1/4)
X1: Thread (G1/4)
- Motor
D1: Brush 12VDC
D2: Brush 24VDC
- Special version

Performance curves



Dimensions in mm

APN-085-D1/D2

APN-085L-D1/D2

Model	W	H	L	a	b	c	d	e	f
APN-085-D1/2		(136)	(135)	71	66	24	57	21.5	18.5
APN-085L/H-D1/2	80	(121)		72		—	56.5		

APN-P110

Diaphragm type air pumps

Max. flow 28 L/min

Max. vacuum 23.99 kPa

Max. discharge pressure 0.1 MPa

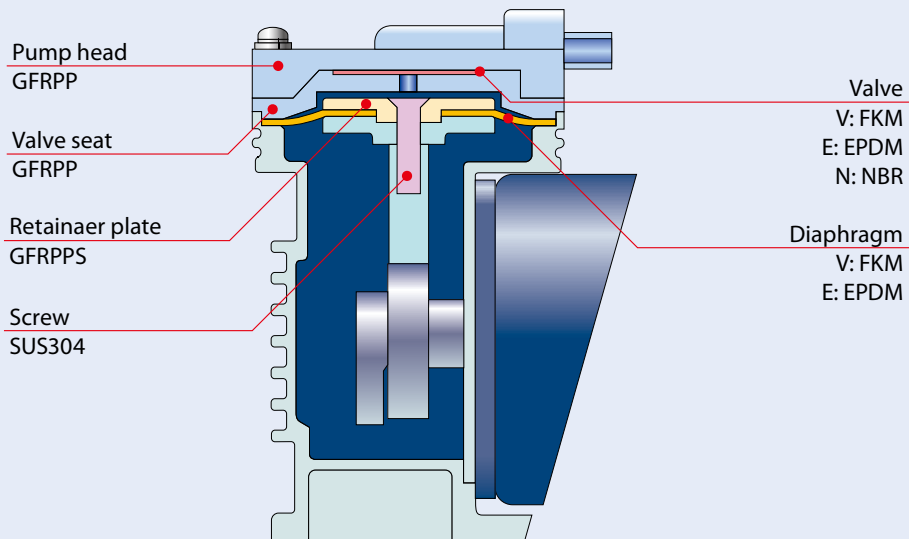


Specifications

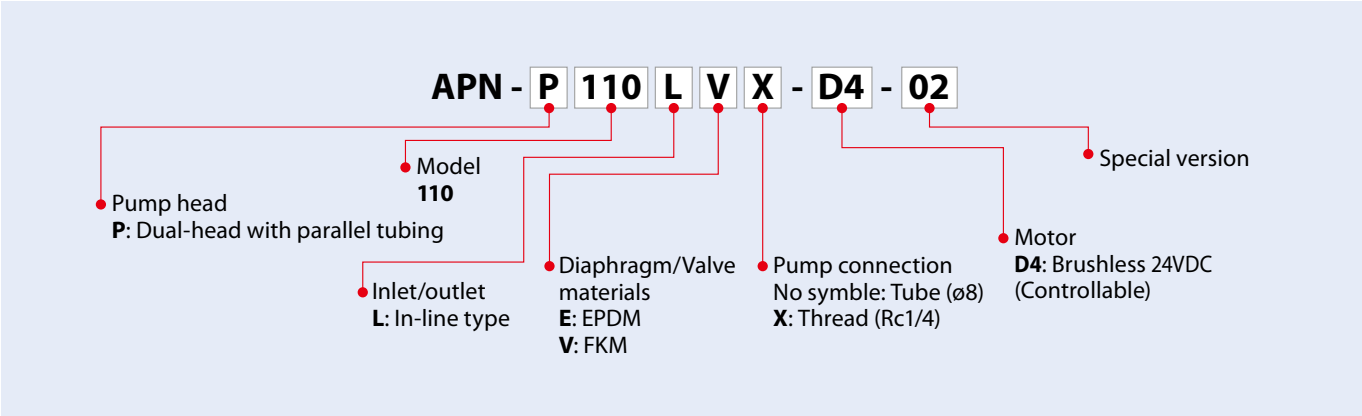
Model	Max. flow (L/min)	Max. vacuum (kPa)	Max. discharge pressure (MPa)	Output (W)	Power consumption (W)	Rated current (A)	Rated voltage (V)
APN-P110L-D4	28	23.99	0.1	30	55.2	2.3	DC24

Connection size IN/OUT Hose Ø8mm, Thread Rc1/4, G1/4
 Mass 3.3kg
 Handling gas temp. 0 to 40°C
 Ambient temp. 5 to 40°C
 Limit cold start temperature... 5°C

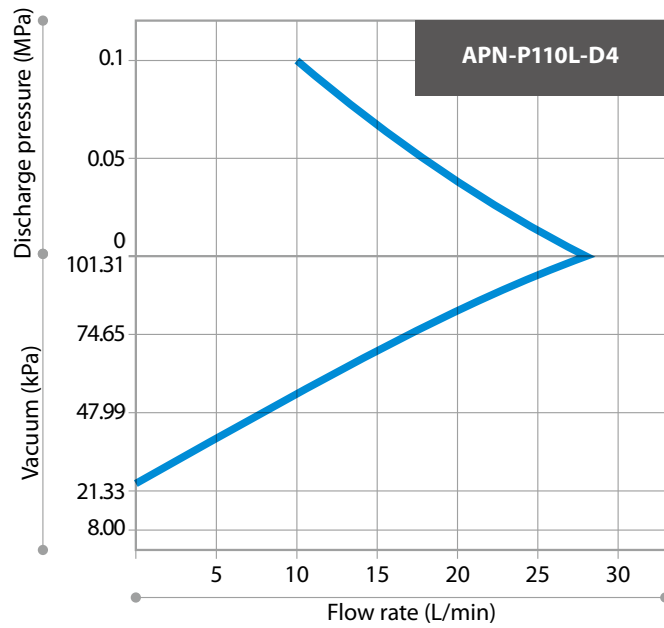
Construction and materials



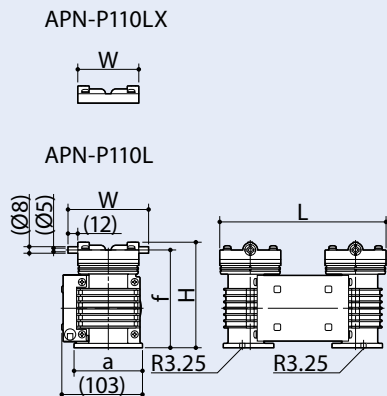
Pump identification



Performance curves



Dimensions in mm

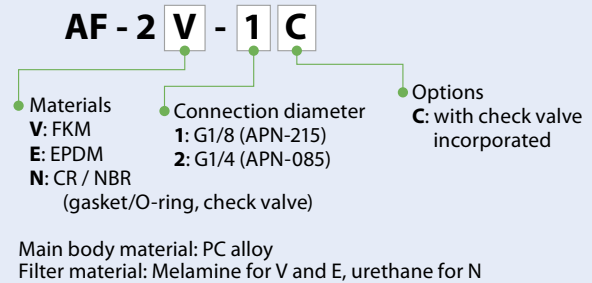


Model	W	H	L	a
APN-P110L	(102)	(134)	(129)	86
APN-P110LX	(78)			

Optional accessory

Filter and Muffler (APN series)

To be used as muffler when installed at discharge side and also as filter when installed at suction side. (Check valve incorporated filter is available as option)



This may not be usable for some pump types and pump head shapes. When installed, performance will be affected.

List of Available Materials

Symbol of Material	Name
GFRPP	Glass-fiber-reinforced polypropylene
GFRPPS	Glass-fiber-reinforced polyphenylene sulfide resin
GFRPA	Glass-fiber-reinforced polyamide resin
GFRPPE	Glass-fiber-reinforced polyphenyl ether resin
PTFE	Tetra-fluoroethylene resin
PCTFE	Polychlorotrifluoroethylene
FKM	Fluorocarbon rubber
EPDM	Ethylene propylene rubber
NBR	Nitrile butadiene rubber
CR	Chloroprene rubber
ADC12	Aluminum diecast
SUS304	Stainless steel 304
SUS316	Stainless steel 316
SUS631-CSP	Stainless steel (strip steel for spring)
AM350	Precipitation-hardening stainless steel (steel plates for springs)
AC2A	aluminum casting alloy

Unit of vacuum pressure

In the new Measurement Act, the following are used as the SI unit: "Pa (pascal)," "N/m² (newton per square meter)," and "bar (bar)." As well, the non-SI unit, "Torr" (Torr), is admitted for the pressure within an organism, and "mmHg" (millimeter of mercury) is admitted for blood pressure.

There are two methods of vacuum pressure notation, as below.

In the vacuum industry, absolute pressure is used. In other industries, however, gauge pressure is used in many cases. Thus, when viewing materials or catalogues, you need to check which method is used for the notation of pressure.

1. Absolute pressure by setting the absolute vacuum equal to 0 (zero)

"a" or "abs" is notated after the unit notation (often omitted).

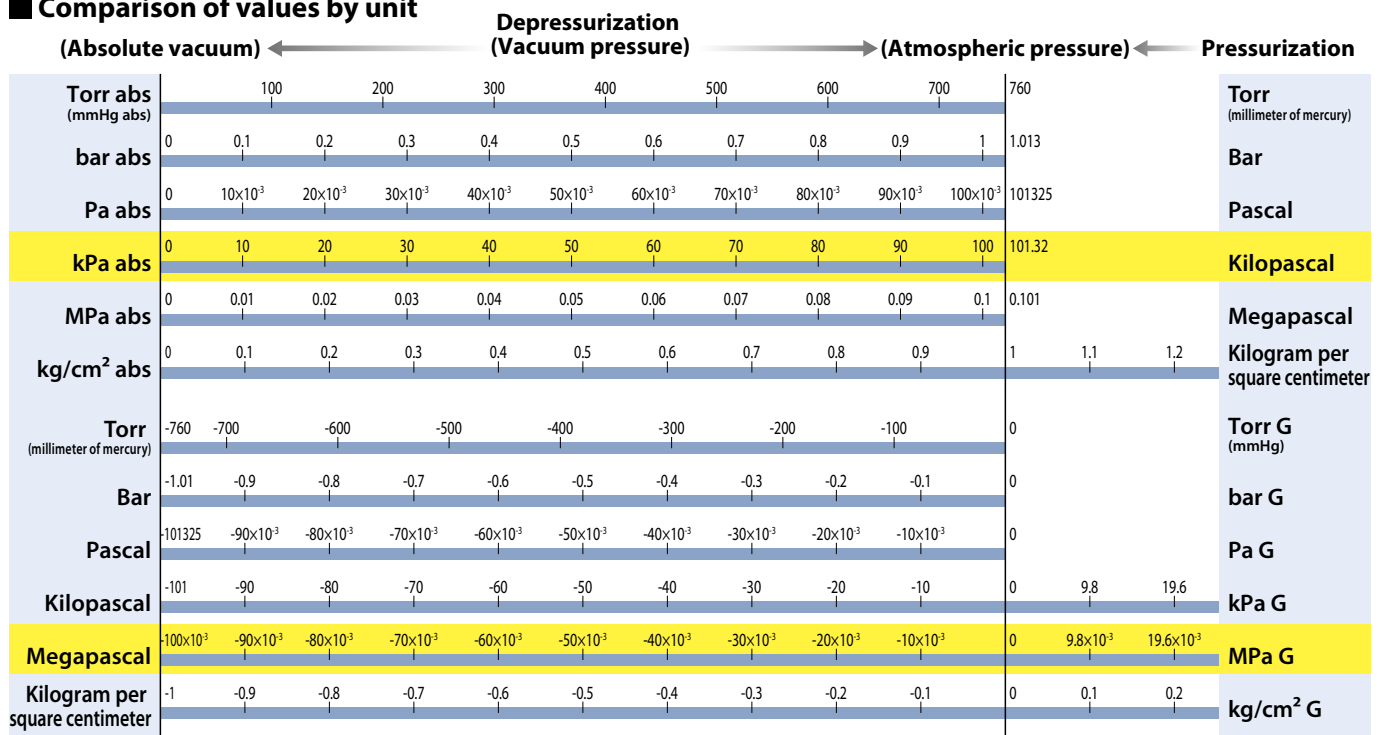
2. Gauge pressure by setting the atmospheric pressure equal to 0 (zero)

"G" or "Gauge" is notated after the unit notation (often omitted).

■ Values of atmospheric pressure by each unit of pressure

Unit	Pronunciation	Values by absolute pressure notation			Values by gauge pressure notation		
		Atmospheric pressure	Range of vacuum pressure	Absolute vacuum	Atmospheric pressure	Range of vacuum pressure	Absolute vacuum
Pa (N/m ²)	Pascal (newton per square meter)	101325	↔	0	0	↔	-101325
kPa	Kilopascal	101.3	↔	0	0	↔	-101.3
MPa	Megapascal	0.101	↔	0	0	↔	-0.101
bar	Bar	1.013	↔	0	0	↔	-1.013
mbar	Millibar	1013	↔	0	0	↔	-1013
Torr	Torr	760	↔	0	0	↔	-760
mmHg	Millimeter of mercury	760	↔	0	0	↔	-760
mmH ₂ O (Aq)	Millimeter of water (Aqua)	10342	↔	0	0	↔	-10342
atm	Atmosphere	1	↔	0	0	↔	-1
psi (lbf/in ²)	Pound-force per square inch	14.696	↔	0	0	↔	-14.696
kgf/cm ²	Kilogram-force per square centimeter	1.0332	↔	0	0	↔	-1.0332

■ Comparison of values by unit



■ Unit conversion table

	Pa (N/m ²)	Torr (mmHg)	atm	mbar	psi (bf/in ²)	kgf/cm ²	mH ₂ O
1 Pa (N/m ²)	1	7.50×10 ⁻³	9.87×10 ⁻⁶	10 ⁻²	1.45×10 ⁻⁴	1.02×10 ⁻⁵	1.02×10 ⁻⁴
1 Torr (mmHg)	133.32	1	1.316×10 ⁻³	1.33	1.93×10 ⁻²	1.359×10 ⁻³	1.36×10 ⁻²
1 atm	1.013×10 ⁵	760	1	1.013×10 ³	14.696	1.033	10.34
1 mbar	100	0.750	9.87×10 ⁻⁴	1	1.45×10 ⁻²	1.02×10 ⁻³	10.206×10 ⁻³
1 psi (bf/in ²)	6.89×10 ³	51.71	6.8×10 ⁻²	6.89	1	7.031×10 ⁻²	0.703
1 kgf/cm ²	9.8×10 ⁴	735.56	0.968	9.81×10 ²	14.223	1	10
1 mH ₂ O	9.8×10 ³	73.49	9.68×10 ⁻²	98.0	1.421	0.1	1

IWAKI World Wide Network

Our subsidiary in Germany and other joint companies throughout the world provide high-level support for our customers. We feel that "real service" means not only to merely provide products but to also organically combine the information collected via our worldwide network and our special knowledge based on our long years of experience, all to deliver value to customers.



European office	IWAKI Europe GmbH	TEL: (49)2154 9254 0	FAX: 2154 9254 48
Germany	IWAKI Europe GmbH	TEL: (49)2154 9254 50	FAX: 2154 9254 55
Holland	IWAKI Europe GmbH (Netherlands Branch)	TEL: (31)74 2420011	FAX: (49)2154 925448
Italy	IWAKI Europe GmbH (Italy Branch)	TEL: (39)0444 371115	FAX: 0444 335350
Spain	IWAKI Europe GmbH (Spain Branch)	TEL: (34)93 37 70 198	FAX: 93 47 40 991
Belgium	IWAKI Belgium N.V.	TEL: (32)13 67 02 00	FAX: 13 67 20 30
Denmark	IWAKI Nordic A/S	TEL: (45)48 24 2345	FAX: 48 24 2346
Finland	IWAKI Suomi Oy	TEL: (358)9 2745810	FAX: 9 2742715
France	IWAKI France S.A.	TEL: (33)1 69 63 33 70	FAX: 1 64 49 92 73
Norway	IWAKI Norge AS	TEL: (47)23 38 49 00	FAX: 23 38 49 01
Sweden	IWAKI Sverige AB	TEL: (46)8 511 72900	FAX: 8 511 72922
U.K.	IWAKI Pumps (UK) Ltd.	TEL: (44)1743 231363	FAX: 1743 366507
U.S.A.	IWAKI America Inc.	TEL: (1)508 429 1440	FAX: 508 429 1386
Argentina	IWAKI America Inc. (Argentina Branch)	TEL: (54)11 4745 4116	
Singapore	IWAKI Singapore Pte Ltd.	TEL: (65)6316 2028	FAX: 6316 3221
Indonesia	IWAKI Singapore (Indonesia Branch)	TEL: (62)21 6906606	FAX: 21 6906612
Malaysia	IWAKIm Sdn. Bhd.	TEL: (60)3 7803 8807	FAX: 3 7803 4800
Australia	IWAKI Pumps Australia Pty Ltd.	TEL: (61)2 9899 2411	FAX: 2 9899 2421
Hong Kong	IWAKI Pumps Co., Ltd.	TEL: (852)2607 1168	FAX: 2607 1000
China	GFTZ IWAKI Engineering & Trading Co., Ltd.	TEL: (86)20 84350603	FAX: 20 84359181
	IWAKI Pumps (Shanghai) Co., Ltd.	TEL: (86)21 6272 7502	FAX: 21 6272 6929
Korea	IWAKI Korea Co.,Ltd.	TEL: (82)2 2630 4800	FAX: 2 2630 4801
Taiwan	IWAKI Pumps Taiwan Co., Ltd.	TEL: (886)2 8227 6900	FAX: 2 8227 6818
Thailand	IWAKI (Thailand) Co.,Ltd.	TEL: (66)2 322 2471	FAX: 2 322 2477
Vietnam	IWAKI Pumps Vietnam Co., Ltd.	TEL: (84)613 933456	FAX: 613 933399

() Country codes

IWAKI feels that “production systems” are “quality assurance systems.”

IWAKI “positions all production processes as processes of quality control,” and for the entire processes of development/design, procurement, and production, through to shipment, we strictly check each process based on quality assurance standards by observing ISO9001 and by using state-of-the-art test devices. We aim to attain a “zero failure rate.” We have also obtained ISO14001 environmental management system certification. We have been promoting activities taking into consideration impact on the environment.



Saitama Plant




Miharu Plant




Regarding compliance with RoHS Directive/CE Marking

The RoHS Directive is a restriction related to chemicals contained in electric/electronic devices issued by the EU (European Union). Currently, it has been replaced with the RoHS Recast Directive, and the RoHS Recast Directive is now being applied. CE Marking applied to a product is a manufacturer's or importer's declaration of product conformity to the EC Directive issued by the EU (European Union) and ensures free distribution within the EU area.

IWAKI has been promoting the switching of parts to those compliant with RoHS, and has been taking measures for the EC Directive one after another. Contact us for details on products compliant with RoHS and the EC Directive.

 **Caution for safety use:**
Before use of pump, read instruction manual carefully to use the product correctly.

Actual pumps may differ from the photos.
Specifications and dimensions are subject to change without prior notice. For further details please contact us.

 **Legal attention related to export.**

Our products and/or parts of products fall in the category of goods contained in control list of international regime for export control.
Please be reminded that export license could be required when products are exported due to export control regulations of countries.

The posting and copying from this catalogue
without permission is not accepted firmly.